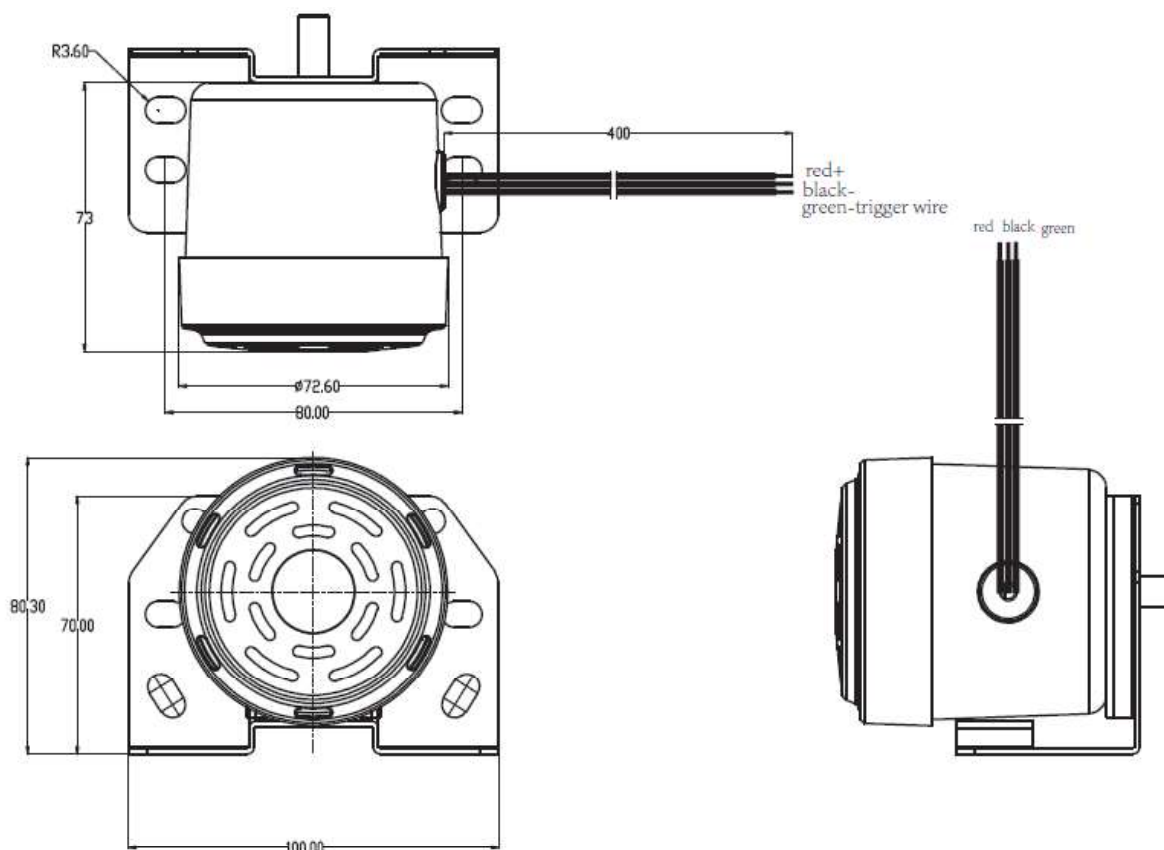


DIMENSIONAL DRAWING



INSTRUCTIONS

Connect the Red Wire to a positive (+VE) feed on the vehicle. Connect the Black Wire to Earth (-VE). The Green Wire is to be connected to the Left Indicator Live. When the Left indicator is applied the signal sent to speaker via the Green Wire will trigger the speaker to sound. The speaker will sound for as long as the indicator is active.

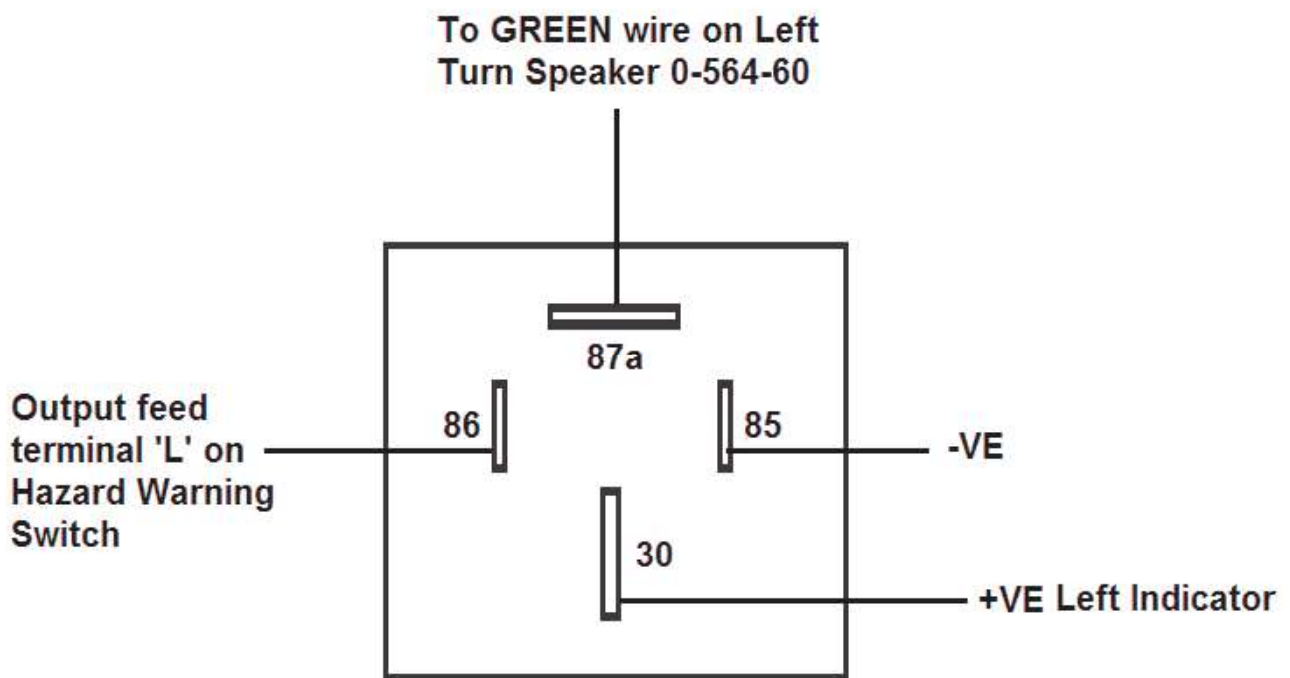
*Note: if the speaker is being installed directly onto a vehicle and not used as part of a Durite side scan kit 0-870-10 then a pulse timer relay may be required between the Vehicle Indicator +VE used and the Trigger Input on the Speaker. For 12VDC application 0-740-20 may be used for 24VDC 0-741-20.

**When the vehicle hazard switch is applied it will activate the left turn speaker. To stop this from happening please use the appropriate Durite Relays as below:

Change-over relays 0 728 12/14/15 for 12V
 0 728 24//26/27 for 24V

Normally closed 0 727 02 for 12V, no 24V option

Please see overleaf how to connect the relay required to the circuit.



SPECIFICATION

Type.....	Left Turn Talking Speaker
Voltage.....	12/24VDC (9-32VDC)
Power.....	3W
Current Draw.....	0.25A @ 12VDC
Speaker Output.....	97dB
IP Rating.....	IP66
Flying Leads.....	350mm
Weight.....	0.5KG (Speaker), 0.11KG (Metal Bracket)
Vibration.....	5G
Operating temperature.....	-20°C ~ +70°C
Dimensions.....	Please see above diagram
Certificates.....	CE, E Marked EMC R10